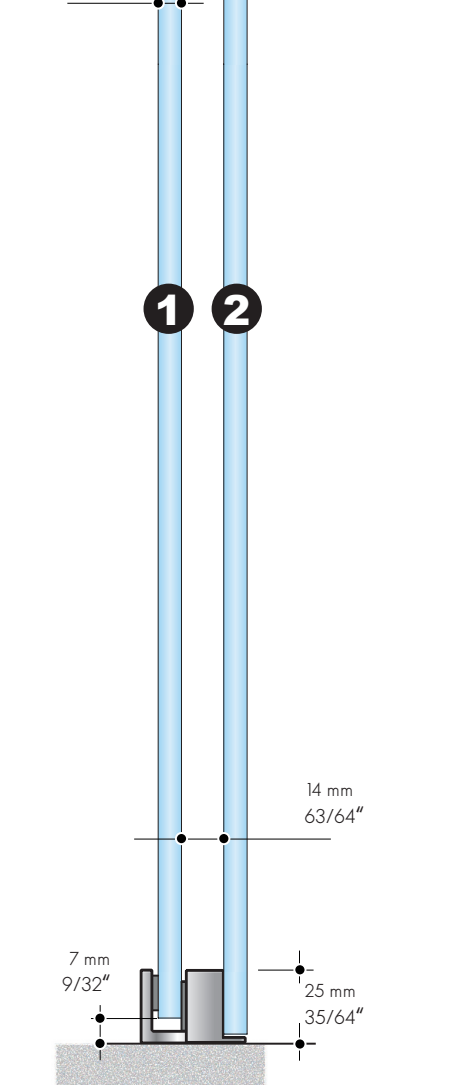
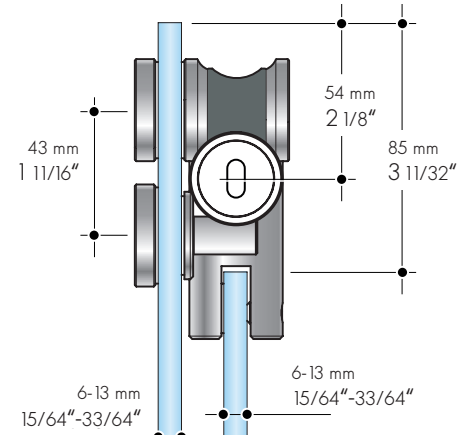
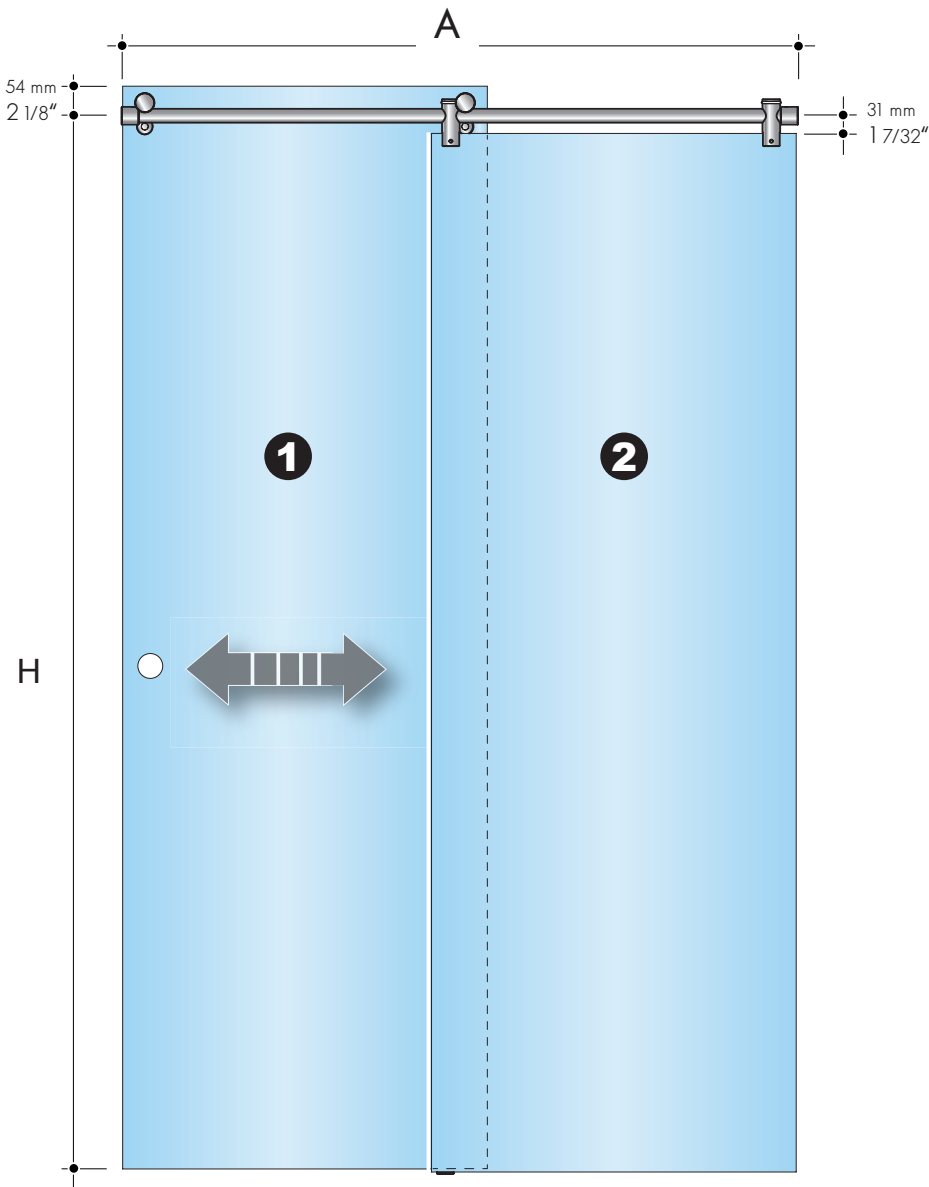


# URBAN Slide | Sliding Door Fitting



**standard length:**

A	L	TB	FGB	DB
48"	47 1/4"	26"	26"	20 11/16"
60"	59 1/16"	31 7/8"	31 7/8"	26 3/8"
72"	70 7/8"	37 13/16"	37 13/16"	32 1/2"

- A = DLO-W (day light opening-width)
- L = track rail length
- TB = sliding glass panel width
- FGB = fixed glass panel width
- DB = clear opening width

